



USER MANUAL

Thank you for choosing the **D03 Series Motorcycle Auxiliary Lights**.
Please read this manual carefully before installation and operation.



D03 Series 3.5" Motorcycle Auxiliary Lights

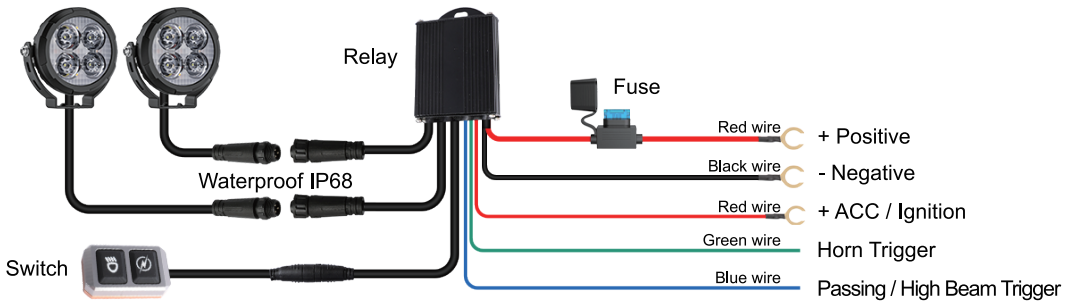
Technical Specifications (pair)

Model	D03 Series	Optics	TIR (Total Internal Reflection) lens
Size	3.5 inch round	Housing Material	Die-cast aluminum alloy
Main Beam Power	70W	Waterproof Rating	IP68
Main Beam Output	7700 LM	Beam Pattern	Main beam / Amber backlight
Amber Backlight	5W	Application	ADV, touring, cruiser, and dual-sport motorcycles

Warranty

- **Duration:** 2-Year Warranty from the date of purchase.
- **Coverage:** Manufacturing defects, LED failure, waterproofing issues.
- **Exclusions:** Damage from misuse, crashes, modifications, or improper installation.

Wiring Instructions



- **Red wire (+):** Connect to battery positive (+)
- **Black wire (-):** Connect to battery negative (-) or chassis ground
- **Red Wire (ACC / Ignition):** Connected to the motorcycle **IGN / ACC fuse position**.
ACC refers to the accessory power option, allowing you to connect the switch panel to either the ACC (accessory) or the battery for power. The ACC wire must be connected, otherwise the lights will not work properly.
- **Green Wire (Horn Trigger):** Connect to the motorcycle horn positive wire. Pressing the horn will trigger the **main beam + amber backlight flashing for 3 seconds**.
- **Blue Wire (Passing / High Beam Trigger):** Connect to the motorcycle passing light or high beam wire.

Switch Operation

The included switch comes with a dedicated bracket and can be mounted on the **handlebar or mirror mount**.

Light Mode Button

Press the light button to cycle through modes:

- Press once: Main white beam
- Press twice: Amber backlight
- Press three times: Combined lighting

Strobe Button

Press the strobe button to switch warning flash modes:

- First mode: Both lights flashing together
- Second mode: Alternating left-right flash



Visit us on www.led-colight.com for your offroad needs.
For any additional assistance or inquiries, feel free to contact our customer support at support@led-colight.com